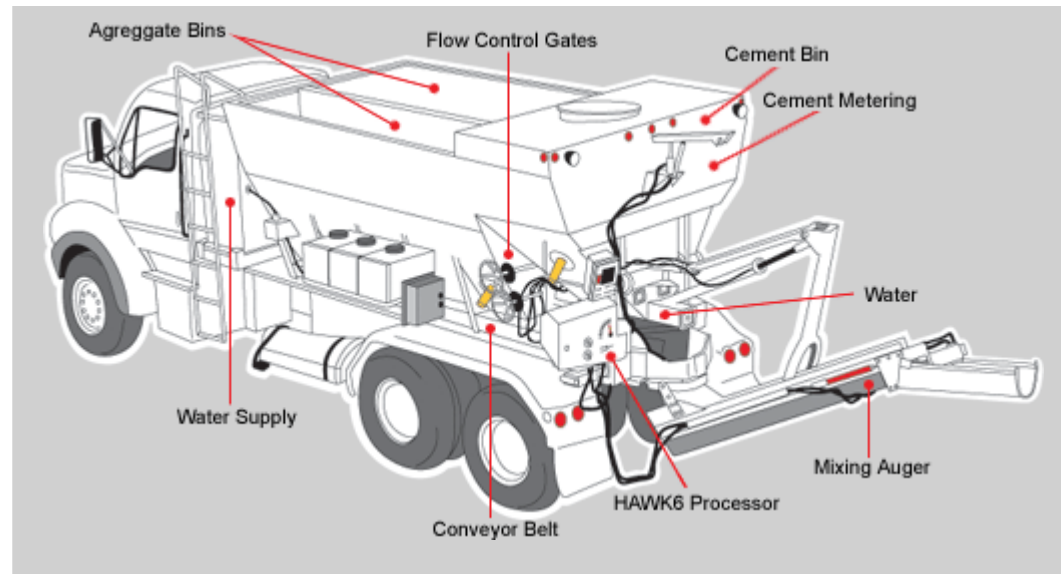




The Reimer Mobile Volumetric Concrete Mixture is designed for durability, reliability, and ease of operation. From the wireless remote control to the state-the-art hydraulic system, every component of the Reimer Mobile Volumetric Concrete Mixer meets our high standards of performance. Satisfied customers all around the world will attest to the fact that Reimer produces a mixer that looks good, lasts a long time, and offers the best value on the market today.

A larger version of the image to the right is shown below.



Aggregate Bins

Sand and stone are carried side by side in open topped bins. Internal cross-bracing provides structural integrity.

Flow Control Gates

Individually adjustable control gates at the rear of each bin allow the correct amount of sand and stone to be delivered to the mixing auger. The control gates can be adjusted to meet the requirements of any mix design.

Cement Bin

An enclosed bin carries an ample supply of cement. The large, easy-open lid allows for the loading of individual bags or from an overhead bin.

Cement Metering

Cement is accurately dispensed through a double flight metering auger. Cement agitators in the bin provide a consistent feed.

Water

Water is introduced as cement and aggregates enter the mixing auger. Easy adjustment of slump is provided and the final product is always fresh.

Water Supply

Non-corroding polyethylene tank carries ample water for mixing and cleanup. Hydraulically driven, centrifugal water pump provides water pressure.

Conveyor Belt

Delivers metered flows of aggregate and cement to the mixing auger. Cross-slates welded to roller chain provides a rigid, smooth operating base for the belt.

HAWK6 Processor

Designed to meet the unique requirements of the Mobile Mixer. Provides meaningful discharge information to operator while maintaining data logging and print out capability.

Mixing Auger

Concrete is delivered through a high speed auger with replaceable NI-hard wear plates. Flight cut-outs and added mixing paddles provide for complete mixing action.

